

Устройства чтения/записи RFID серии RVC Технические характеристики

По вопросам продаж и поддержки обращайтесь:

Алматы (727)345-47-04
Ангарск (3955)60-70-56
Архангельск (8182)63-90-72
Астрахань (8512)99-46-04
Барнаул (3852)73-04-60
Белгород (4722)40-23-64
Благовещенск (4162)22-76-07
Брянск (4832)59-03-52
Владивосток (423)249-28-31
Владикавказ (8672)28-90-48
Владимир (4922)49-43-18
Волгоград (844)278-03-48
Вологда (8172)26-41-59
Воронеж (473)204-51-73
Екатеринбург (343)384-55-89

Иваново (4932)77-34-06
Ижевск (3412)26-03-58
Иркутск (395)279-98-46
Казань (843)206-01-48
Калининград (4012)72-03-81
Калуга (4842)92-23-67
Кемерово (3842)65-04-62
Киров (8332)68-02-04
Коломна (4966)23-41-49
Кострома (4942)77-07-48
Краснодар (861)203-40-90
Красноярск (391)204-63-61
Курск (4712)77-13-04
Курган (3522)50-90-47
Липецк (4742)52-20-81

Магнитогорск (3519)55-03-13
Москва (495)268-04-70
Мурманск (8152)59-64-93
Набережные Челны (8552)20-53-41
Нижний Новгород (831)429-08-12
Новокузнецк (3843)20-46-81
Ноябрьск (3496)41-32-12
Новосибирск (383)227-86-73
Омск (3812)21-46-40
Орел (4862)44-53-42
Оренбург (3532)37-68-04
Пенза (8412)22-31-16
Петрозаводск (8142)55-98-37
Псков (8112)59-10-37
Пермь (342)205-81-47

Ростов-на-Дону (863)308-18-15
Рязань (4912)46-61-64
Самара (846)206-03-16
Санкт-Петербург (812)309-46-40
Саратов (845)249-38-78
Севастополь (8692)22-31-93
Саранск (8342)22-96-24
Симферополь (3652)67-13-56
Смоленск (4812)29-41-54
Сочи (862)225-72-31
Ставрополь (8652)20-65-13
Сургут (3462)77-98-35
Сыктывкар (8212)25-95-17
Тамбов (4752)50-40-97
Тверь (4822)63-31-35

Тольятти (8482)63-91-07
Томск (3822)98-41-53
Тула (4872)33-79-87
Тюмень (3452)66-21-18
Ульяновск (8422)24-23-59
Улан-Удэ (3012)59-97-51
Уфа (347)229-48-12
Хабаровск (4212)92-98-04
Чебоксары (8352)28-53-07
Челябинск (351)202-03-61
Череповец (8202)49-02-64
Чита (3022)38-34-83
Якутск (4112)23-90-97
Ярославль (4852)69-52-93

Россия +7(495)268-04-70

Казахстан +(727)345-47-04

Беларусь +(375)257-127-884

Узбекистан +998(71)205-18-59

Киргизия +996(312)96-26-47

эл.почта: auh@nt-rt.ru || сайт: <https://akusense.nt-rt.ru>

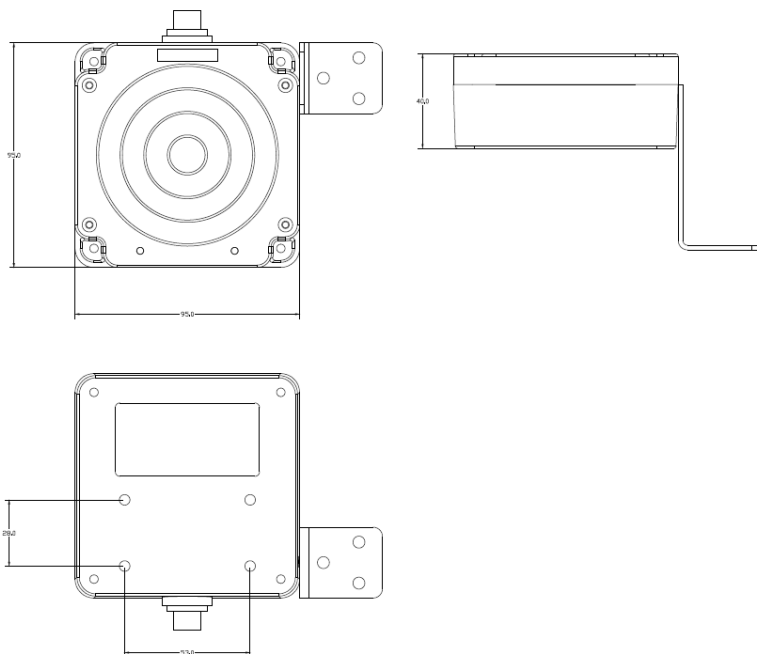
RFID



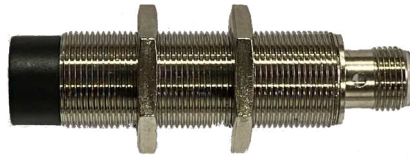
Appearance	
Rfchip	South Korea PR9200 dedicated RF chip
Air interface protocol	EPCglobal UHF Class 1 Gen 2 / ISO 18000-6C
Operat frequency	902-928MHz or 865-868MHz
Output power	13-27dBm±1dBm
Output power adjustment	1dBm unit increment(Setting via VANCH software)
Receive sensitivity	< -70dBm
Inventory label peak speed	>50 times/sec
Read distance	30~2000mm(Depend on the label)
Write distance	0-1000mm(Related to reader parameter configuration, antenna gain, tag type)
Label RSSI	Support
Support area	The U.S., Canada and other regions that comply with U.S. FCC Part 15 regulations Europe and other regions complying with ETSI EN 302 308 specifications China, India, Japan, South Korea, Malaysia, Taiwan
Antenna	Dual-feed ceramic antenna or PCB near-field antenna
Communication interface	RJ45, RS232, RS485
Communication protocol	ModbusTCP,ModbusRTU,TCP/UDP
WiFi(option)	Support IEEE 802.11 n/b/g
Heat device (optional)	Low temperature automatic heating (-5°C) optional (determined according to the project site environment)
Communication rate	The serial port rate is 9600~115200bps, RJ45 is 10Mbps
Operate status	LED Indicator, buzzer
Reliable firmware upgrade	Scalable upgrade mechanism
General-purpose input/output (GPIO)	2 inputs, 2 outputs
Application software interface	Provide API development kits and sample programs in C and Java.
Size	95*95*40mm
Power supply	Operate voltage DC 9~24V
Connection tail line	Industrial connection tail line one to five.
Weight	About 1.1 kg
Humidity	5%~95%,Non-condensing
Protection level	IEC IP67
Operate temperature	-40°C~+85°C
Storage temperature	Room temperature
Model	RVC-H610P

DIMENSIONS

unit: mm



RFID

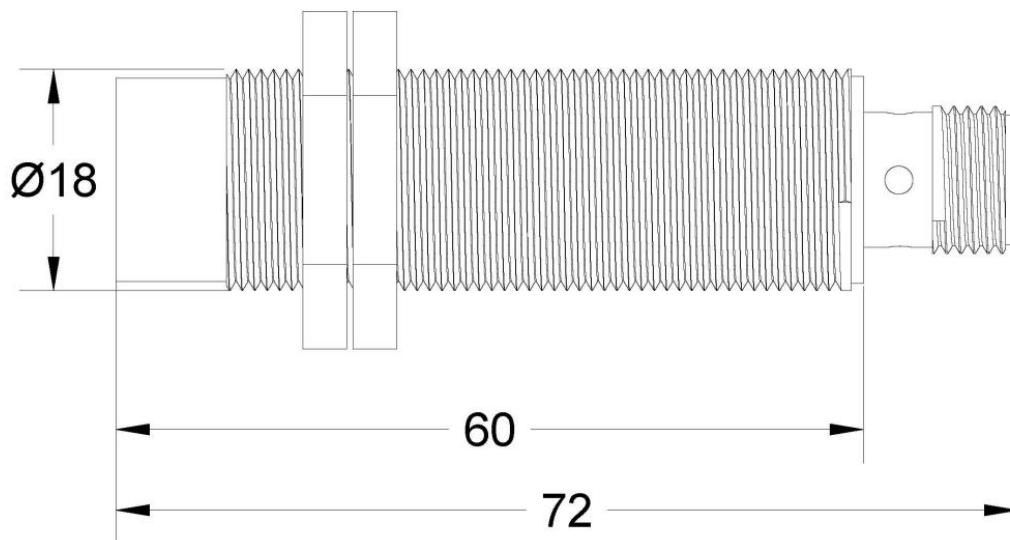


Appearance

RF chip	ZC100
Air interface protocol	ISO 15693 / ISO 14443A
Operate frequency	13.56MHz
Read distance	0~35mm(Depend on label)
Antenna	PCB Integrated antenna
Communication interface	RS485
Communication protocol	VUP Protocol
Communication rate	Serial communication rate 9600~115200bp
Operate status	LED Indicator (Orange)
Reliable firmware upgrade	Scalable upgrade mechanism
Application software interface	Provide API development kits and sample programs in C,C# and Java.
Size	30*60mm
Power supply	Operate voltage DC 24V
Power consumption	Maximum power consumption 2W
Communication harness	M12 female connector harness
Weight	Approx. 60g (Whole set)
Humidity	5% ~ 95%, Non-condensing
Protection level	IEC IP67
Operate temperature	-40°C ~ +70°C
Storage temperature	Room temperature
Model	RVC-H18-F

DIMENSIONS

unit: mm



RFID

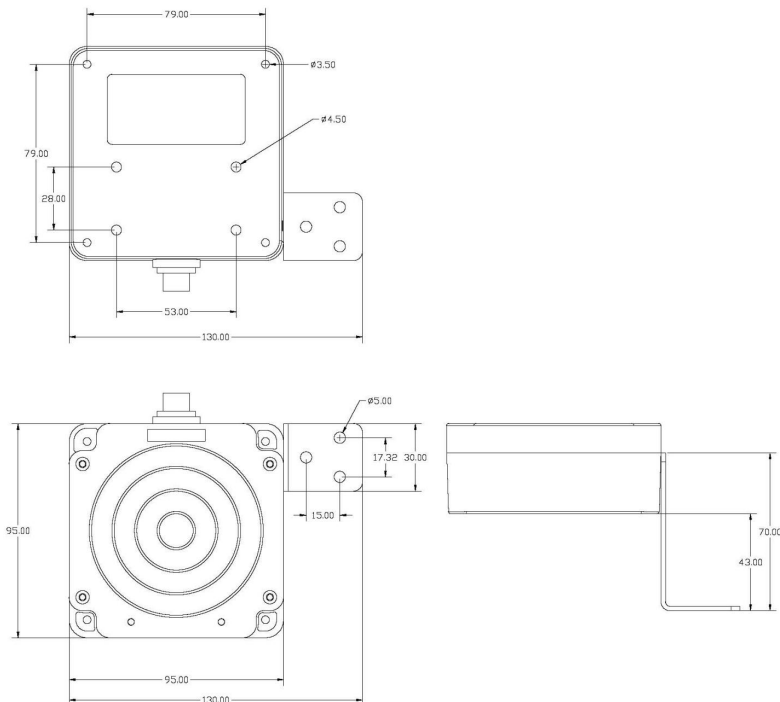


Appearance

NFC RF chip	ZC100	
Air interface protocol	ISO 15693 / ISO 14443A	
Operate frequency	13.56MHz	
Read distance	1ISO15693:110mm	ISO14443A: 60mm ((Depend on label))
Write distance	ISO15693:100mm	ISO14443A: 50mm (Depend on label type)
Label RSSI	Support	
Antenna	PCB Integrated antenna	
Communication interface	RJ45, RS232, RS485	
Communication protocol	ModbusTCP, ModbusRTU, TCP/UDP protocols	
WiFi (optional)	Support IEEE 802.11n/b/g	
Heat device (optional)	Low temperature automatic heating (-5°C) optional (determined according to the project site environment)	
Communication rate	Serial port communication rate 9600~115200bps, RJ45 communication rate 10/100 Mbps	
Operate status	LED Indicator light, buzzer	
Reliable firmware upgrades	Scalable upgrade mechanism	
General purpose input/output (GPIO)	2 input, 2 output	
Application software interface	Provide API development kits and sample programs in C,C# and Java.	
Size	95*95*40mm	
Power supply	Operate voltage DC 9~24V	
Power consumption	Maximum power consumption 3W, maximum starting current 1A	
Communication harness	Industrial connection tail line one to five.	
Weight	Approx. 1.1 kg (Whole set)	
Humidity	5% ~ 95%, Non-condensing	
Protection level	IEC IP67	
Operate temperature	-40°C ~ +85°C	
Storage temperature	Room temperature	
Model	RVC-H610P-F	

DIMENSIONS

unit: mm



RFID

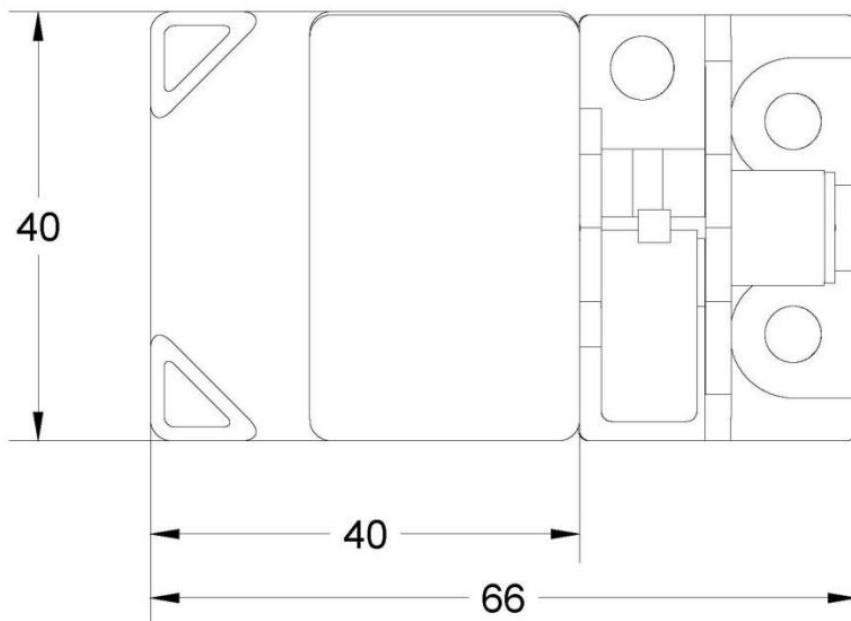


Appearance

NFC RF chip	ZC100
Air interface protocol	ISO 15693 / ISO 14443A
Operate frequency	13.56MHz
Read distance	0~35mm(Depend on label)
Antenna	PCB Integrated antenna
Communication interface	RS485
Communication protocol	VUP Protocol
Communication rate	Serial port communication rate 9600~115200bps
Operate status	LED Indicator (Orange)
Reliable firmware upgrades	Scalable upgrade mechanism
Application software interface	Provide API development kits and sample programs in C,C# and Java.
Size	φ 40*40*45mm
Power supply	Operate voltage DC 24V
Power consumption	Maximum power consumption 2W
Communication harness	M12 female connector harness
Weight	Approx. 60g (Whole set)
Humidity	5% ~ 95%, Non-condensing
Protection level	IEC IP67
Operate temperature	-40°C~ +70°C
Storage temperature	Room temperature
Model	RVC-H40-F

DIMENSIONS

unit: mm



RFID

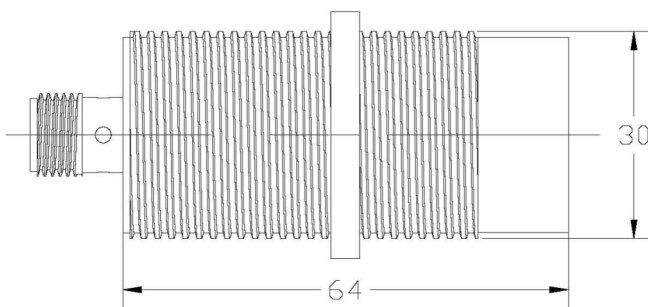


Appearance		
NFC RF chip	ZC100	
Air interface protocol	ISO 15693 / ISO 14443A	
Operate frequency	13.56MHz	
Read distance	Q30: 0~80mm(Depend on label)	B30: 0~60mm (Depend on label)
Antenna	PCB Integrated antenna	
Communication interface	RS485	
Communication protocol	VUP Protocol	
Communication rate	Serial communication rate 9600~115200bp	
Operate status	LED Indicator (Orange)	
Reliable firmware upgrades	Scalable upgrade mechanism	
Application software interface	Provide API development kits and sample programs in C,C# and Java.	
Size	φ 30*65mm	
Power supply	Operate voltage DC24V	
Power consumption	Maximum power consumption 2W	
Communication harness	M12 female connector harness	
Weight	Approx. 120g (Whole set)	
Humidity	5% ~ 95%, Non-condensing	
Protection level	IECIP67	
Operate temperature	-40°C~ +70°C	
Storage temperature	Room temperature	
Model	RVC-HQ30-F	RVC-HB30-F

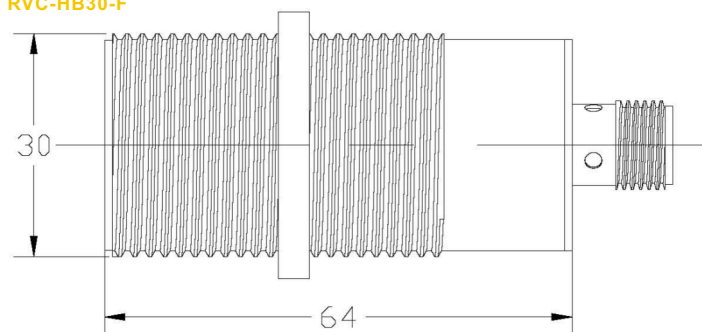
DIMENSIONS

unit: mm

RVC-HQ30-F



RVC-HB30-F



По вопросам продаж и поддержки обращайтесь:

Алматы (727)345-47-04
Ангарск (3955)60-70-56
Архангельск (8182)63-90-72
Астрахань (8512)99-46-04
Барнаул (3852)73-04-60
Белгород (4722)40-23-64
Благовещенск (4162)22-76-07
Брянск (4832)59-03-52
Владивосток (423)249-28-31
Владикавказ (8672)28-90-48
Владимир (4922)49-43-18
Волгоград (844)278-03-48
Вологда (8172)26-41-59
Воронеж (473)204-51-73
Екатеринбург (343)384-55-89

Иваново (4932)77-34-06
Ижевск (3412)26-03-58
Иркутск (395)279-98-46
Казань (843)206-01-48
Калининград (4012)72-03-81
Калуга (4842)92-23-67
Кемерово (3842)65-04-62
Киров (8332)68-02-04
Коломна (4966)23-41-49
Кострома (4942)77-07-48
Краснодар (861)203-40-90
Красноярск (391)204-63-61
Курск (4712)77-13-04
Курган (3522)50-90-47
Липецк (4742)52-20-81

Магнитогорск (3519)55-03-13
Москва (495)268-04-70
Мурманск (8152)59-64-93
Набережные Челны (8552)20-53-41
Новокузнецк (3843)20-46-81
Ноябрьск (3496)41-32-12
Новосибирск (383)227-86-73
Омск (3812)21-46-40
Орел (4862)44-53-42
Оренбург (3532)37-68-04
Пенза (8412)22-31-16
Петрозаводск (8142)55-98-37
Псков (8112)59-10-37
Пермь (342)205-81-47

Ростов-на-Дону (863)308-18-15
Рязань (4912)46-61-64
Самара (846)206-03-16
Санкт-Петербург (812)309-46-40
Саратов (845)249-38-78
Севастополь (8692)22-31-93
Саранск (8342)22-96-24
Симферополь (3652)67-13-56
Смоленск (4812)29-41-54
Сочи (862)225-72-31
Ставрополь (8652)20-65-13
Сургут (3462)77-98-35
Сыктывкар (8212)25-95-17
Тамбов (4752)50-40-97
Тверь (4822)63-31-35

Тольятти (8482)63-91-07
Томск (3822)98-41-53
Тула (4872)33-79-87
Тюмень (3452)66-21-18
Ульяновск (8422)24-23-59
Улан-Удэ (3012)59-97-51
Уфа (347)229-48-12
Хабаровск (4212)92-98-04
Чебоксары (8352)28-53-07
Челябинск (351)202-03-61
Череповец (8202)49-02-64
Чита (3022)38-34-83
Якутск (4112)23-90-97
Ярославль (4852)69-52-93

Россия +7(495)268-04-70

Казахстан +(727)345-47-04

Беларусь +(375)257-127-884

Узбекистан +998(71)205-18-59

Киргизия +996(312)96-26-47

эл.почта: auh@nt-rt.ru || сайт: <https://akusense.nt-rt.ru>